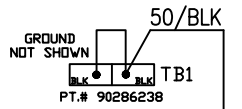


SPECIAL OPTION - 3 FILTER SHAKER MOTORS

AFTER JUNE 2021

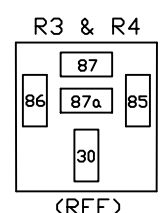
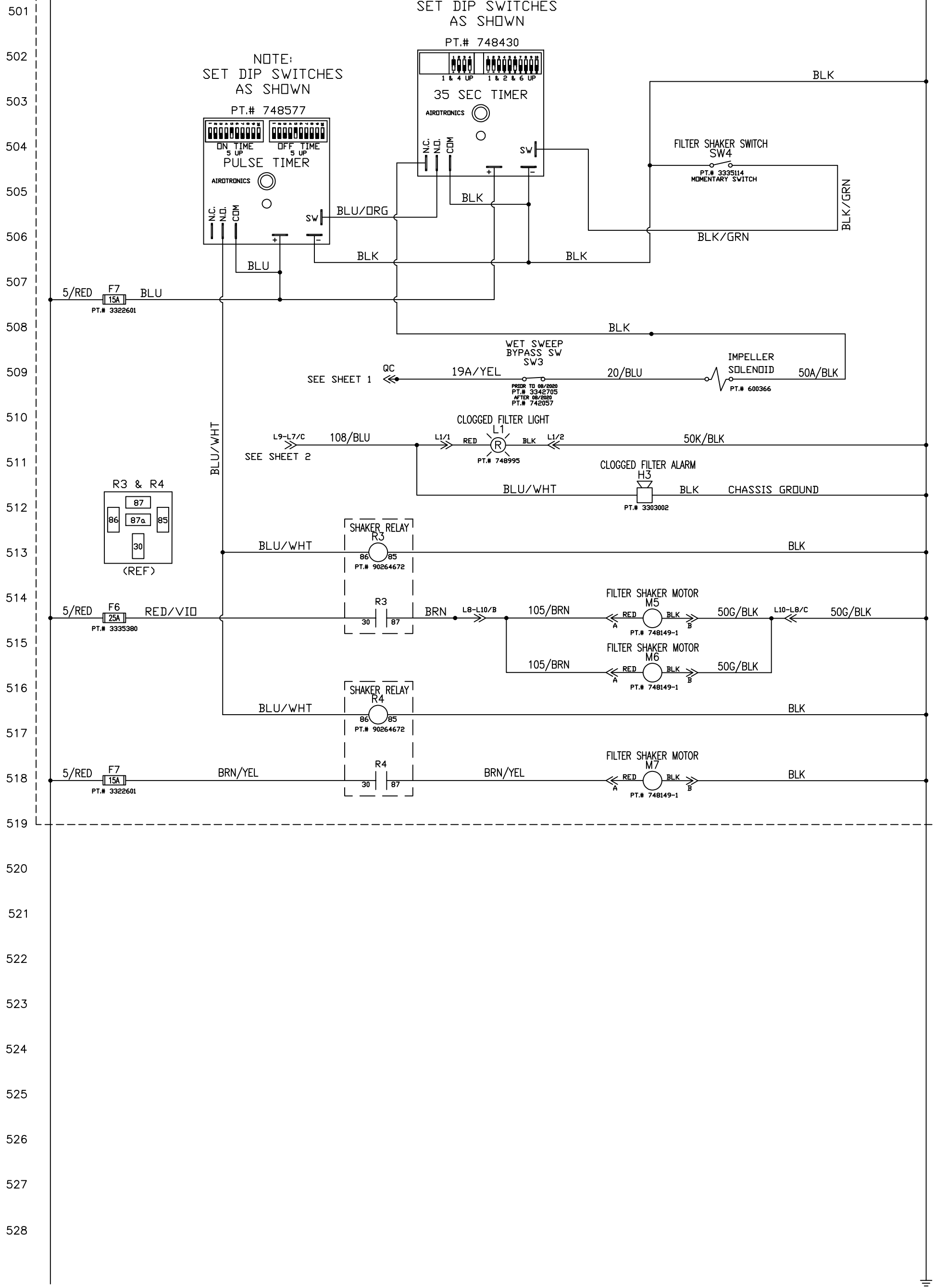
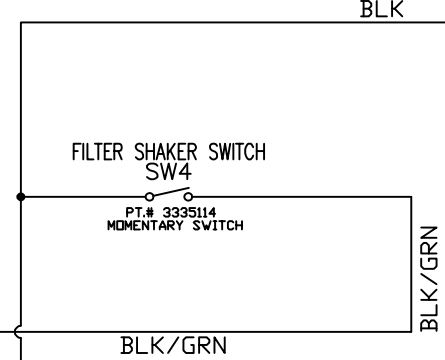
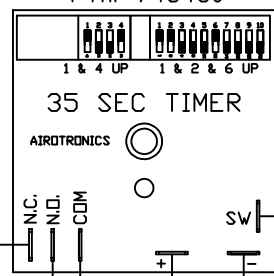
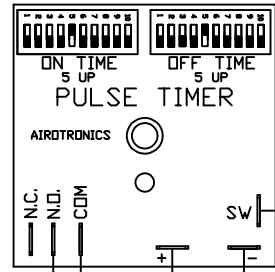


NOTE:
SET DIP SWITCHES
AS SHOWN

PT.# 748430

NOTE:
SET DIP SWITCHES
AS SHOWN

PT.# 748577



REV	ECN	DATE	DESCRIPTION	BY	ELECTRICAL DESIGN ENGINEER		CAD BY		DATE	PART NUMBER	REVISION	PAGE NUMBER
F	150479	11/19/18	UPDATE MERV FILTER & PT.#S	KHH			14N845 U.S. ROUTE 20 PINGREE GROVE, ILLINOIS 60140		CONFIDENTIAL THIS DRAWING AND ALL INFORMATION CONTAINED HEREIN ARE THE EXCLUSIVE PROPERTY OF MINUTEMAN INTERNATIONAL, INC. THIS DRAWING IS NOT TO BE COPIED OR OTHERWISE REPRODUCED WITHOUT EXPRESSED WRITTEN PERMISSION OF MINUTEMAN INTERNATIONAL, INC. IN ADDITION, THIS DRAWING MUST BE RETURNED UPON REQUEST. FURTHER, ALL INFORMATION CONTAINED HEREIN MUST BE MAINTAINED CONFIDENTIAL.	TITLE SCHEMATIC-ELECTRICAL ATLAS LP/GAS	J	5 OF 5
G	151299	04/15/20	ADDED LOW LP AND FAN OPTION	KHH								
H	151500	12/11/20	UPDATE KEY, HORN SWITCH, SIDE LTS & GAS/LP	KHH								
J	151783	06/28/21	ADD NEW SHAKER OPTION SHEET 5	KHH								
									2/20/10	3397503		